

Brushless Motor Type

DLV02/12/16 Series 

delvo

Brushless motors are incorporated for maximum tool life

Ergonomic grip offers greater operator comfort and increased maneuverability

Grounded bit system standard

Clear plastic torque adjustment cover provided as standard accessory (DLV02/12/16SL-CKE)

Compliant with CE standards



- Controllers feature an overload detection function. When an overload is detected, the controller stops the screwdriver. Operation can be resumed after the screwdriver is unloaded, and the lever released (DLC16S)
- Universal input voltage from 100 to 240 V AC for easy installation (DLC16S)
- Variable speed adjustment enables you to select optimum screw tightening speed (DLC16S)

Low Torque Brushless Electric Screwdrivers

DLV02/12/16 series

Specifications

Model	Standard	DLV02SL-CKE	DLV12SL-CKE	DLV16SL-CKE	
	ESD	DLV02SL-BKE	DLV12SL-BKE	DLV16SL-BKE	
Electric Screwdriver	Starting Method	Lever Start			
	Input Voltage	20 - 30 V DC			
	Torque Adjustment	Stepless			
	Torque (Nm)	0.03 - 0.2	0.15 - 1.2	0.2 - 1.6	
	Free Speed (min ⁻¹)	700 - 1,000			
	Power Consumption (W)	48			
	Screw Size (mm)	Machine Screw	1.0 - 2.2	1.4 - 3.0	2.2 - 4.2
		Tapping Screw	1.0 - 2.0	1.4 - 2.6	2.0 - 3.2
	Bit Type (mm)				
	Mass (kg)	0.47			

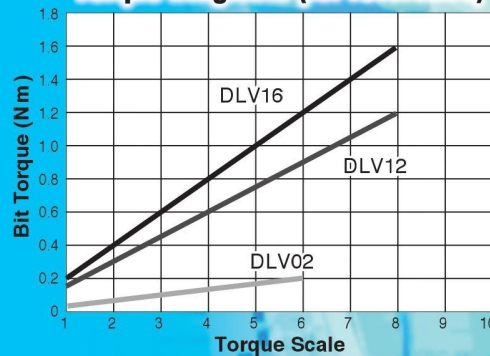
Specifications

Model	DLC16S-WGB
Input Voltage	100 - 240 V AC, 50/60 Hz
Output Voltage	20 - 30 V DC
Function	Speed Control
Plug Shape	
Mass (kg)	0.38

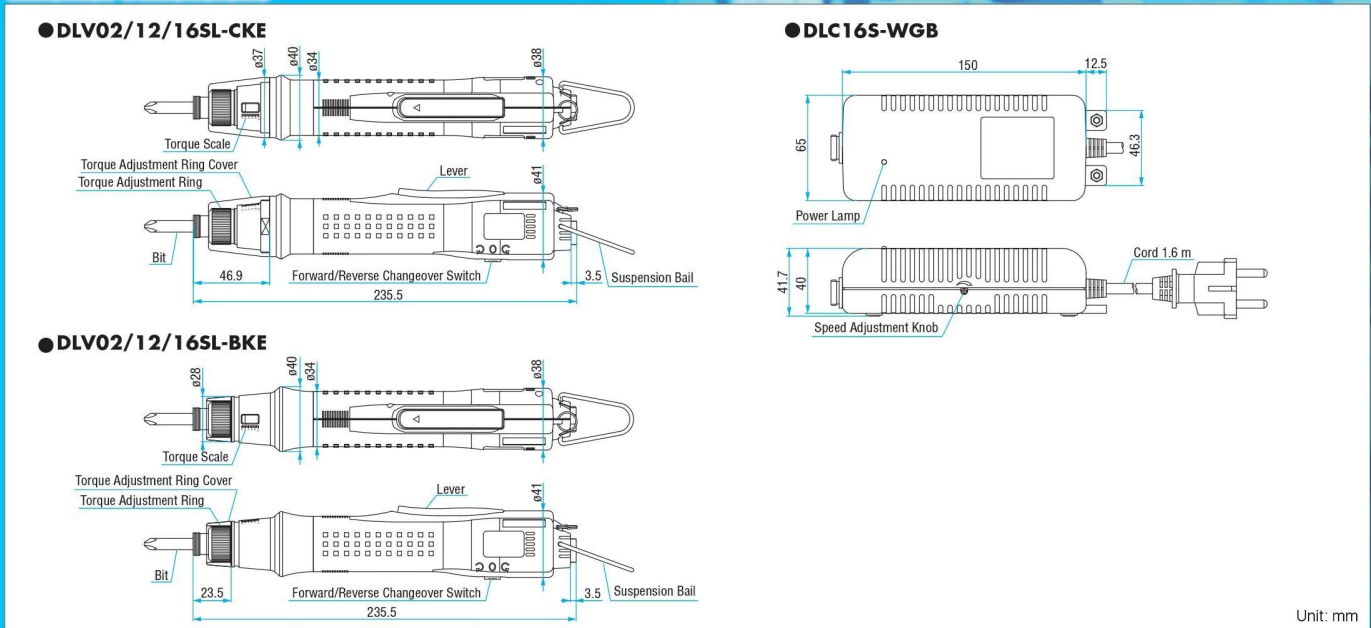
Standard Accessories

Model	DLV02	DLV12	DLV16
Bit	No.0 x 3.8 x 50	1	1
	No.1 x 3.8 x 50	1	1
	No.2 x 4.5 x 50	1	1
Connection Cable	1	1	1

Torque Diagrams (for reference)



External Dimensions



Head Office

9-4, Nakaikigami 2-chome, Ohta-ku, Tokyo 146-8555 Japan

Tel : +81-3-3755-1111 Fax : +81-3-3753-8791

E-mail : overseas@nitto-kohki.co.jp

Web www.nitto-kohki.co.jp/e

DISTRIBUTED BY



This catalog is printed using environmentally friendly paper and vegetable oil inks.

